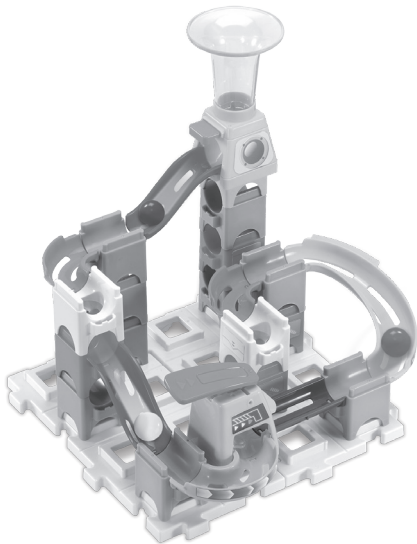


vtech[®]

Instruction Manual

Marble Rush™ Discovery Starter Set™



INTRODUCTION

Thank you for purchasing the **Marble Rush™ Discovery Starter Set™!**

Get ready for non-stop action! Build thrilling courses, send the marbles into motion and compete with family and friends through exciting challenges. Please refer to the color manual for detailed construction plans.

WARNING

All packing materials such as tape, plastic sheets, packaging locks, removable tags, cable ties, cords and packaging screws are not part of this toy, and should be discarded for your child's safety.

NOTE

Please save this manual as it contains important information.

ATTENTION

Pour la sécurité de votre enfant, débarrassez-vous de tous les produits d'emballage tels que rubans adhésifs, feuilles de plastique, attaches, étiquettes, cordons et vis d'emballage. Ils ne font pas partie du jouet.

NOTE

Il est conseillé de sauvegarder ce manuel car il comporte des informations importantes.

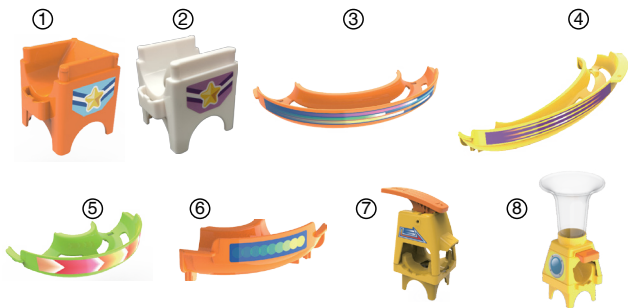
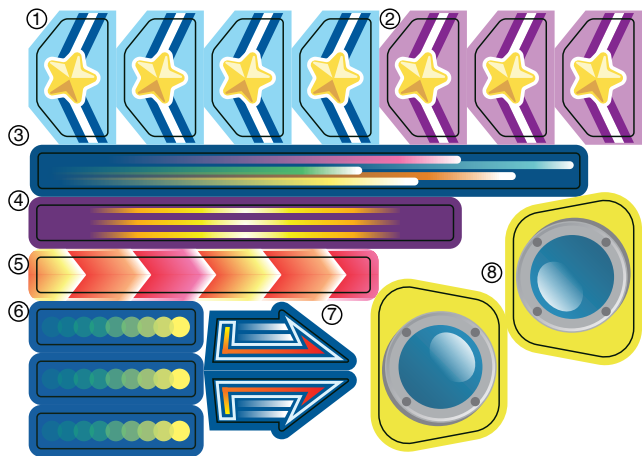


WARNING:

CHOKING HAZARD -Toy contains small parts and small balls.
Not for children under 3yrs.

LABEL APPLICATION

Please securely stick the labels to the playset as indicated below:



CARE & MAINTENANCE

1. Keep the unit clean by wiping it with a slightly damp cloth.
2. Keep the unit out of direct sunlight and away from any direct heat sources.
3. Do not drop the unit on hard surfaces or expose the unit to moisture or water.

IMPORTANT NOTE:

If a problem arises, please call our **Consumer Services Department** at **1-800-521-2010** in the U.S., **1-877-352-8697** in Canada, or by going to our website **vtechkids.com** and filling out our **Contact Us** form located under the **Customer Support** link. Creating and developing VTech products is accompanied by a responsibility that we take very seriously. We make every effort to ensure the accuracy of the information, which forms the value of our products. However, errors sometimes can occur. It is important for you to know that we stand behind our products and encourage you to contact us with any problems and/or suggestions you might have. A service representative will be happy to help you.

**Visit our website for more
information about our products,
downloads, resources and more.**

vtechkids.com
vtechkids.ca

Read our complete warranty policy online at
vtechkids.com/warranty
vtechkids.ca/warranty

